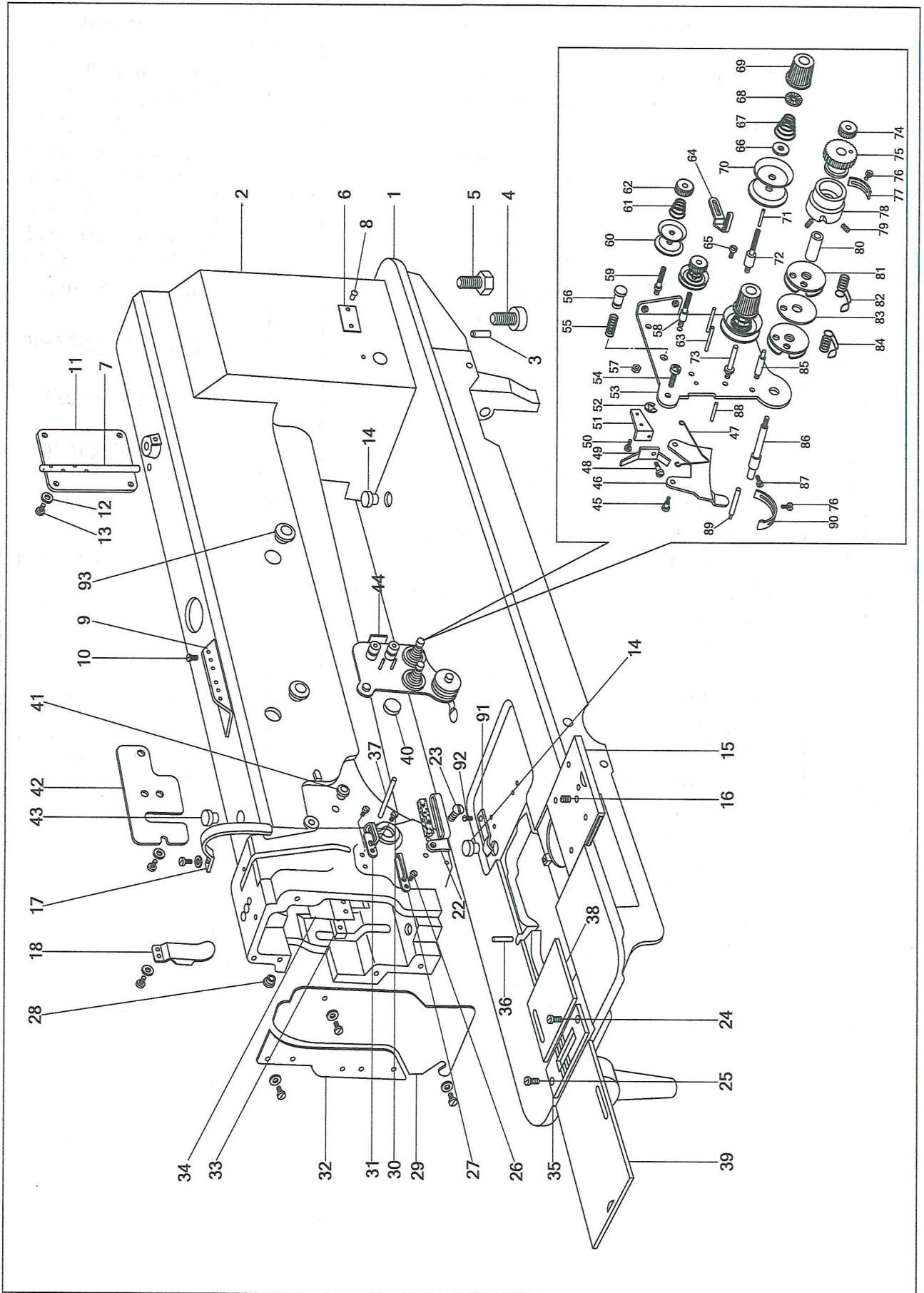


---

# Parts manual

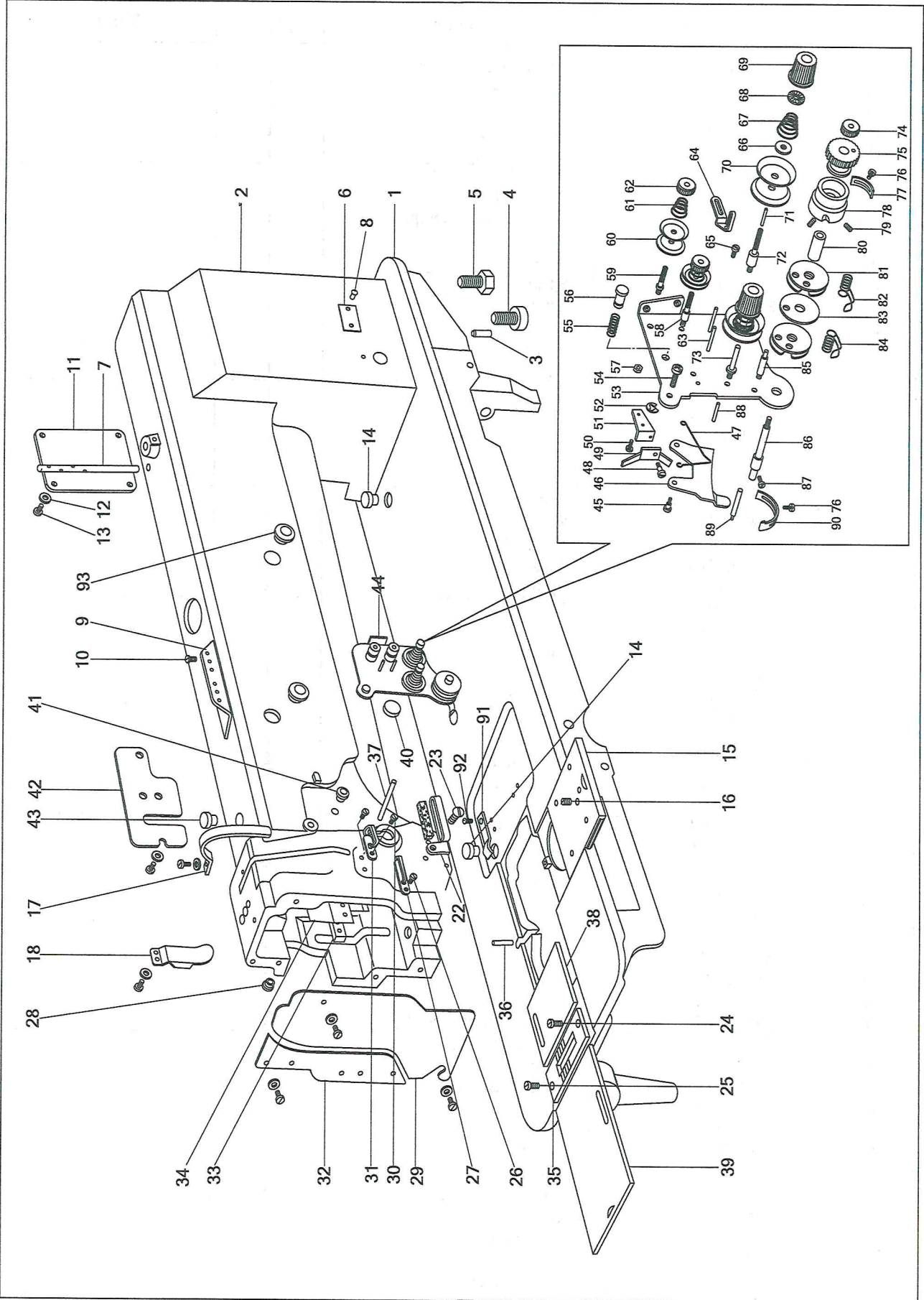
# 1. 2-needle machine casting components



## 1. 2-needle machine casting components

| No. | Part number | Name                       | Qt. | Remark           |
|-----|-------------|----------------------------|-----|------------------|
| 1   | 43WF1-001   | Machine bed                | 1   | GC20606L18/HL18  |
|     | 45WF1-001   | Machine bed                | 1   | GC20606L30-D1T3  |
| 2   | 43WF1-002   | Machine arm                | 1   | GC20606L18/HL18  |
|     | 45WF1-002   | Machine arm                | 1   | GC20606L30-D1T3  |
| 3   |             | Pin                        | 2   | A6×30 GB117-86   |
| 4   |             | Screw                      | 1   | M10×35 GB70-85   |
| 5   |             | Screw                      | 3   | M10×35 GB5781-85 |
| 6   | 43WF1-003B  | Model label                | 1   | GC20606L18/HL18  |
|     | 184WF1-001B | Model label                | 1   | GC20606L30-D1T3  |
| 7   | 35WF1-006   | Thread guide               | 1   |                  |
| 8   |             | Rivet                      | 2   | φ2.5×5 GB827-86  |
| 9   | 1WF1-015    | Upper thread guide         | 1   |                  |
| 10  | 1WF1-016    | Screw                      | 2   | SM11/64"×40/8    |
| 11  | 1WF1-017    | Back cover                 | 1   |                  |
| 12  | 1WF1-011    | Screw                      | 15  | SM11/64"×40/9    |
| 13  | 22T1-007    | Washer                     | 15  |                  |
| 14  | 1WF1-032    | Cover                      | 2   | PE               |
| 15  | 1WF1-038    | Front slide plate          | 1   |                  |
| 16  | 1WF1-039    | Screw                      | 1   | SM11/64"×32/5.4  |
| 17  | 1WF1-019    | Thread take-up lever cover | 1   |                  |
| 18  | 1WF1-030    | Cover                      | 1   |                  |
| 19  | 1WF1-027    | Screw                      | 1   |                  |
| 22  | 21WF4-008   | Lower thread guide         | 1   |                  |
| 23  | 1WF1-005    | Screw                      | 1   | SM9/64"×40/6.5   |
| 24  | 1WF1-034    | Screw                      | 1   |                  |
| 25  | 1WF1-036    | Screw                      | 1   | SM11/64"×40      |
| 26  | 1WF1-007    | Screw                      | 1   | SM9/64"×40       |
| 27  | 1WF1-006    | Thread guide               | 1   |                  |
| 28  | 1WF1-018    | Rubber plug                | 2   |                  |
| 29  | 1WF1-013    | Face plate                 | 1   |                  |
| 30  | 1WF1-009    | Screw                      | 2   | SM3/16"×28       |
| 31  | 1WF1-008    | Thread guide               | 1   |                  |
| 32  | 1WF1-012    | Guide set plate            | 1   |                  |
| 33  | 1WF1-021    | Oil stopper set plate      | 1   |                  |
| 34  | 1WF1-020    | Oil stopper                | 1   |                  |
| 35  | 1WF1-035    | Needle plate               | 1   |                  |
| 36  | 1WF1-037    | Pin shaft                  | 1   |                  |

# 1. 2-needle machine casting components



## 1. 2-needle machine casting components

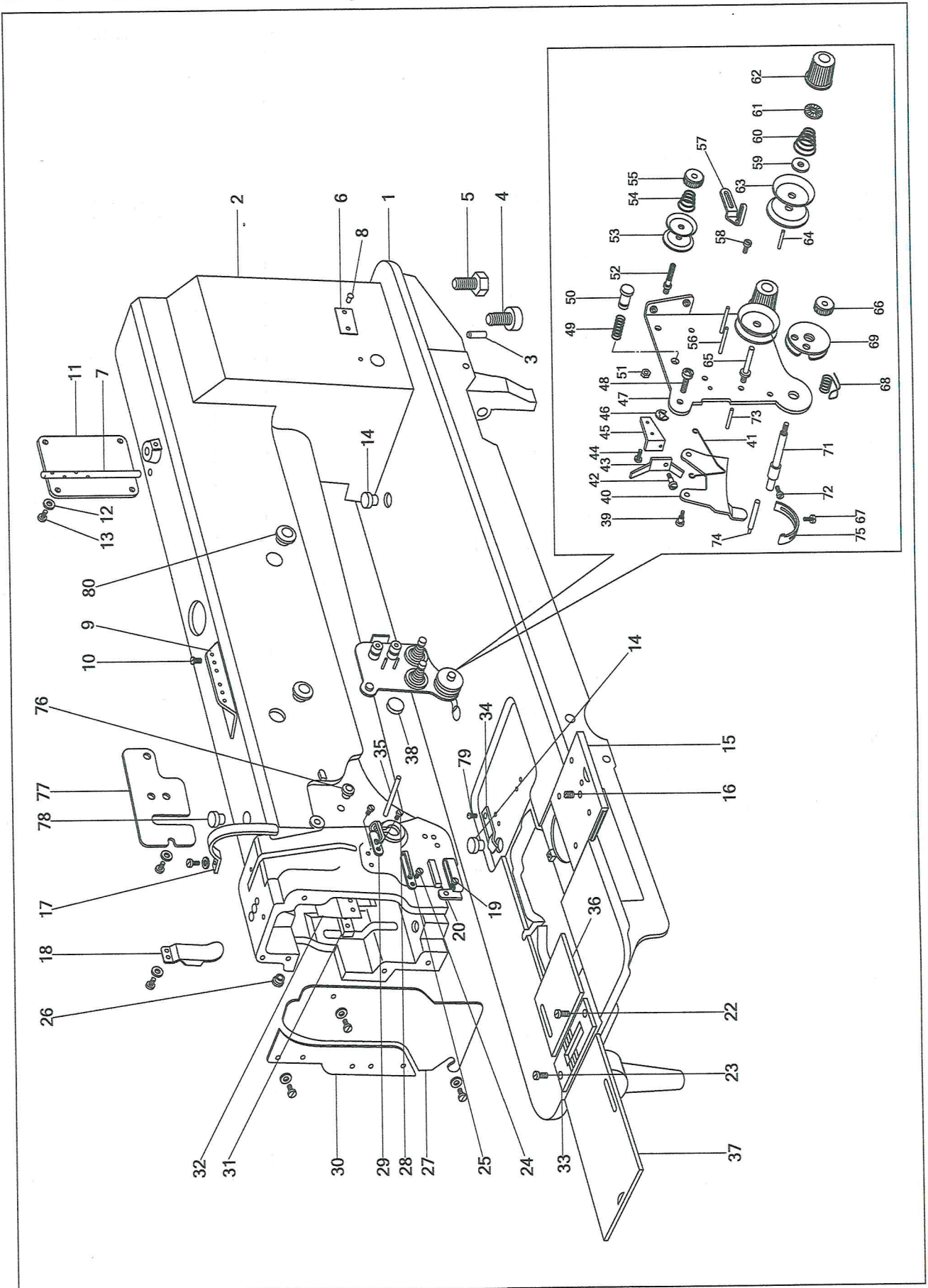
| No. | Part number | Name                     | Qt. | Remark  |
|-----|-------------|--------------------------|-----|---------|
| 37  | 1WF1-023    | Thread release lever     | 1   |         |
| 38  | 1WF1-033    | Right slide plate        | 1   |         |
| 39  | 1WF1-040    | Left slide plate         | 1   |         |
| 40  | 1WF1-029    | Rubber plug              | 1   |         |
| 41  | 1WF1-022    | Rubber plug              | 1   |         |
| 42  | 1WF1-031    | Back fitting cover       | 1   |         |
| 43  | 1WF1-014    | Rubber plug              | 1   |         |
| 44  | 83WF1-005   | Thread tension complete  | 1   |         |
| 45  | 1WF1-010Q   | Screw                    | 2   |         |
| 46  | 84WF1-010   | Plate                    | 1   |         |
| 47  | 1WF1-010P   | Spring                   | 1   |         |
| 48  | 84WF1-012   | Screw                    | 1   |         |
| 49  | 84WF1-011   | Lever                    | 1   |         |
| 50  | 84WF1-014   | Screw                    | 1   |         |
| 51  | 84WF1-013   | Plate                    | 1   |         |
| 52  |             | Retainer ring            | 1   | GB896 5 |
| 53  | 84WF1-005A  | Plate                    | 1   |         |
| 54  | 1WF4-051    | Screw                    | 1   |         |
| 55  | 84WF1-016   | Spring                   | 1   |         |
| 56  | 84WF1-015   | Release plate            | 1   |         |
| 57  | 13WF2-052   | Nut                      | 2   |         |
| 58  | 83WF1-006   | Screw shaft              | 1   |         |
| 59  | 13WF2-051   | Screw shaft              | 1   |         |
| 60  | 22T1-009E3  | Tension disc             | 4   |         |
| 61  | 13WF2-009   | Spring                   | 2   |         |
| 62  | 36T2-006D4  | Nut                      | 2   |         |
| 63  | 84WF1-005B  | Pin                      | 3   |         |
| 64  | 84WF1-006   | Thread guide             | 1   |         |
| 65  | 1WF1-005    | Screw                    | 1   |         |
| 66  | 27WF2-008C  | Release disc             | 2   |         |
| 67  | 27WF2-008B  | Spring                   | 2   |         |
| 68  | 153209      | Stopper                  | 2   |         |
| 69  | 27WF2-008A  | Tension nut assy.        | 2   |         |
| 70  | 27WF2-008F  | Tension disc             | 4   |         |
| 71  | 1WF1-010M   | Pin                      | 1   |         |
| 72  | 83WF1-005A  | Screw shaft              | 1   |         |
| 73  | 84WF1-005C  | Screw shaft              | 1   |         |
| 74  | 1WF1-010H   | Nut                      | 1   |         |
| 75  | 83WF1-011   | Bush                     | 1   |         |
| 76  | 1WF1-026    | Screw                    | 1   |         |
| 77  | 1WF1-025    | Bracket                  | 1   |         |
| 78  | 83WF1-012   | Bush                     | 1   |         |
| 79  | 83WF1-013   | Screw                    | 1   |         |
| 80  | 84WF1-014   | Bush                     | 1   |         |
| 81  | 84WF1-007   | Tension controller assy. | 2   |         |
| 82  | 83WF1-010   | Take up spring           | 1   |         |
| 83  | 83WF1-007   | Disc                     | 1   |         |
| 84  | 9WF1-003B   | Take up spring           | 1   |         |
| 85  | 83WF1-008   | Screw                    | 1   |         |
| 86  | 83WF1-009   | Shaft                    | 1   |         |
| 87  | 1WF1-024    | Screw                    | 1   |         |
| 88  | 1WF1-010L   | Pin                      | 1   |         |
| 89  | 84WF1-026   | Thread release pin       | 1   |         |
| 90  | 1WF1-025    | Stopper                  | 1   |         |
| 91  | 1WF1-043    | Spring plate             | 1   |         |
| 92  | 22T2-004    | Screw                    | 1   |         |
| 93  | 43WF1-006   | Rubber plug              | 2   |         |



## 2. 1-needle machine casting components

| No. | Part number | Name                       | Qt. | Remark              |
|-----|-------------|----------------------------|-----|---------------------|
| 1   | 44WF1-003   | Machine bed                | 1   | GC20606-1L18/-1HL18 |
|     | 46WF1-001   | Machine bed                | 1   | GC20606-1L30-D1T3   |
| 2   | 43WF1-002   | Machine arm                | 1   | GC20606-1L18/-1HL18 |
|     | 45WF1-002   | Machine arm                | 1   | GC20606-1L30-D1T3   |
| 3   |             | Pin                        | 2   | A6×30 GB117-86      |
| 4   |             | Screw                      | 1   | M10×35 GB70-85      |
| 5   |             | Screw                      | 3   | M10×35 GB5781-85    |
| 6   | 44WF1-002   | Model label                | 1   | GC20606-1L18/-1HL18 |
|     | 188WF1-001B | Model label                | 1   | GC20606-1L30-D1T3   |
| 7   | 35WF1-006   | Thread guide               | 1   |                     |
| 8   |             | Rivet                      | 2   | φ2.5×5 GB827-86     |
| 9   | 1WF1-015    | Upper thread guide         | 1   |                     |
| 10  | 1WF1-016    | Screw                      | 2   | SM11/64"×40/8       |
| 11  | 1WF1-017    | Back cover                 | 1   |                     |
| 12  | 1WF1-011    | Screw                      | 15  | SM11/64"×40/9       |
| 13  | 22T1-007    | Washer                     | 15  |                     |
| 14  | 1WF1-032    | Cover                      | 2   | PE                  |
| 15  | 1WF1-038    | Front slide plate          | 1   |                     |
| 16  | 1WF1-039    | Screw                      | 1   | SM11/64"×32/5.4     |
| 17  | 1WF1-019    | Thread take-up lever cover | 1   |                     |
| 18  | 1WF1-030    | Cover                      | 1   |                     |
| 19  | 1WF1-005    | Screw                      | 1   |                     |
| 20  | 21WF4-008   | Lower thread guide         | 1   |                     |
| 22  | 1WF1-034    | Screw                      | 1   |                     |
| 23  | 1WF1-036    | Screw                      | 1   |                     |
| 24  | 1WF1-007    | Screw                      | 1   |                     |
| 25  | 1WF1-006    | Thread guide               | 1   |                     |
| 26  | 1WF1-018    | Rubber plug                | 1   |                     |
| 27  | 1WF1-013    | Face plate                 | 1   |                     |
| 28  | 1WF1-009    | Screw                      | 2   | SM3/16"×28          |
| 29  | 1WF1-008    | Thread guide               | 1   |                     |
| 30  | 1WF1-012    | Guide set plate            | 1   |                     |
| 31  | 1WF1-021    | Oil stopper set plate      | 1   |                     |
| 32  | 1WF1-020    | Oil stopper                | 1   |                     |
| 33  | 9WF1-004A   | Needle plate               | 1   |                     |
| 34  | 1WF1-043    | Spring plate               | 1   |                     |
| 35  | 1WF1-023    | Thread release lever       | 1   |                     |
| 36  | 1WF1-033    | Right slide plate          | 1   |                     |
| 37  | 1WF1-040    | Left slide plate           | 1   |                     |
| 38  | 1WF1-029    | Rubber plug                | 1   |                     |
| 39  | 1WF1-010Q   | Screw                      | 2   |                     |
| 40  | 84WF1-010   | Plate                      | 1   |                     |
| 41  | 1WF1-010P   | Spring                     | 1   |                     |

## 2. 1-needle machine casting components

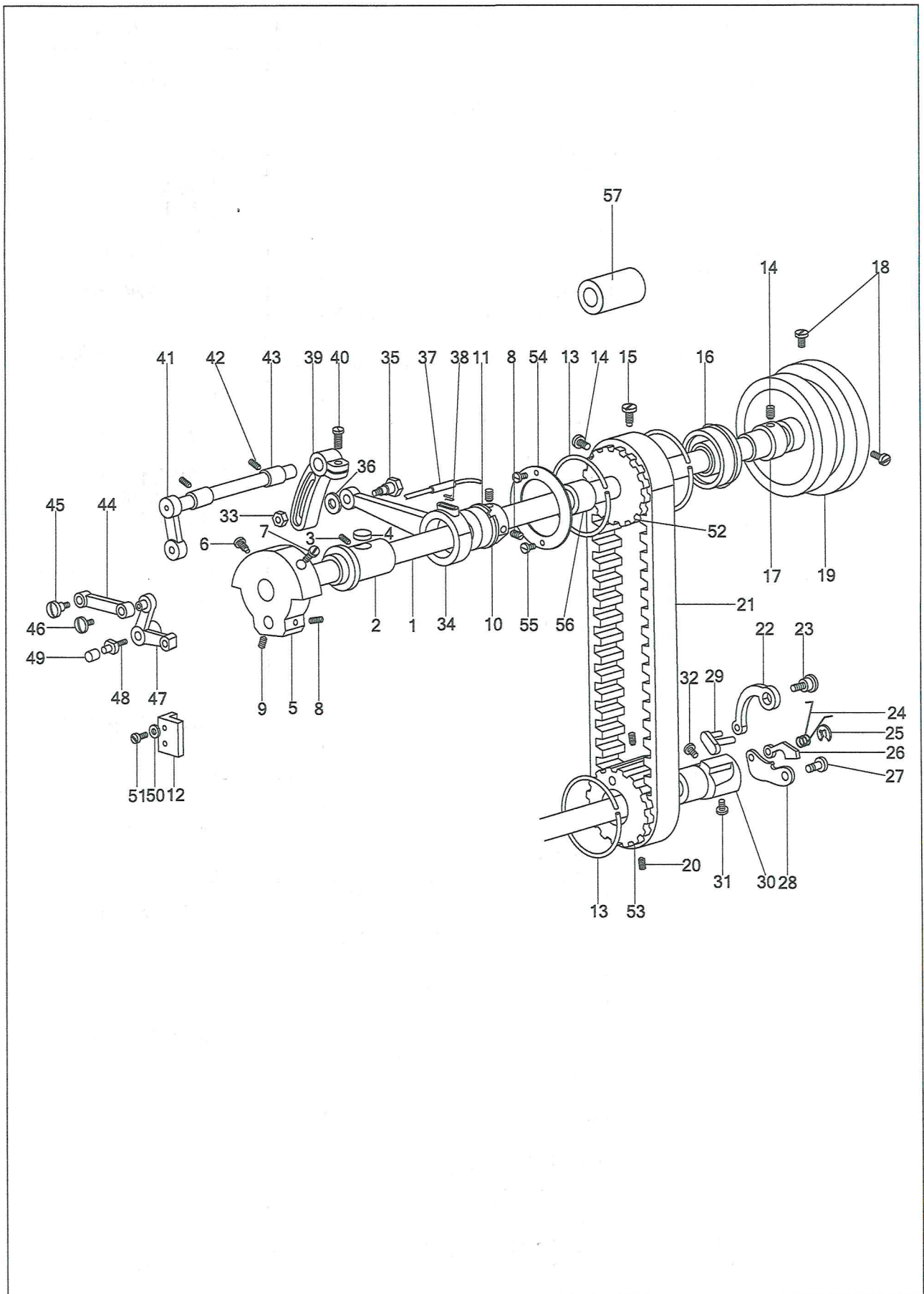




## 2. 1-needle machine casting components

| No. | Part number | Name                     | Qt. | Remark  |
|-----|-------------|--------------------------|-----|---------|
| 42  | 84WF1-012   | Screw                    | 1   |         |
| 43  | 84WF1-011   | Lever                    | 1   |         |
| 44  | 84WF1-014   | Screw                    | 1   |         |
| 45  | 84WF1-013   | Plate                    | 1   |         |
| 46  |             | Retainer ring            | 1   | GB896 5 |
| 47  | 84WF1-005A  | Plate                    | 1   |         |
| 48  | 1WF4-051    | Screw                    | 1   |         |
| 49  | 84WF1-016   | Spring                   | 1   |         |
| 50  | 84WF1-015   | Release plate            | 1   |         |
| 51  | 13WF2-052   | Nut                      | 1   |         |
| 52  | 13WF2-051   | Screw shaft              | 1   |         |
| 53  | 22T1-009E3  | Tension disc             | 2   |         |
| 54  | 13WF2-009   | Spring                   | 1   |         |
| 55  | 36T2-006D4  | Nut                      | 1   |         |
| 56  | 84WF1-005B  | Pin                      | 2   |         |
| 57  | 84WF1-006   | Thread guide             | 1   |         |
| 58  | 1WF1-005    | Screw                    | 1   |         |
| 59  | 27WF2-008C  | Release disc             | 1   |         |
| 60  | 27WF2-008B  | Spring                   | 1   |         |
| 61  | 153209      | Stopper                  | 1   |         |
| 62  | 27WF2-008A  | Tension nut assy.        | 1   |         |
| 63  | 27WF2-008F  | Tension disc             | 2   |         |
| 64  | 1WF1-010M   | Pin                      | 1   |         |
| 65  | 84WF1-005C  | Screw shaft              | 1   |         |
| 66  | 1WF1-010H   | Nut                      | 1   |         |
| 68  | 9WF1-003B   | Take up spring           | 1   |         |
| 69  | 84WF1-007   | Tension controller assy. | 1   |         |
| 71  | 84WF1-009   | Shaft                    | 1   |         |
| 72  | 1WF1-024    | Screw                    | 1   |         |
| 73  | 1WF1-010L   | Pin                      | 1   |         |
| 74  | 84WF1-026   | Thread release pin       | 1   |         |
| 75  | 1WF1-025    | Stopper                  | 1   |         |
| 76  | 1WF1-022    | Rubber plug              | 1   |         |
| 77  | 1WF1-031    | Cover                    | 1   |         |
| 78  | 1WF1-034    | Rubber plug              | 1   |         |
| 79  | 22T2-004    | Screw                    | 1   |         |
| 80  | 43WF1-006   | Rubber plug              | 2   |         |

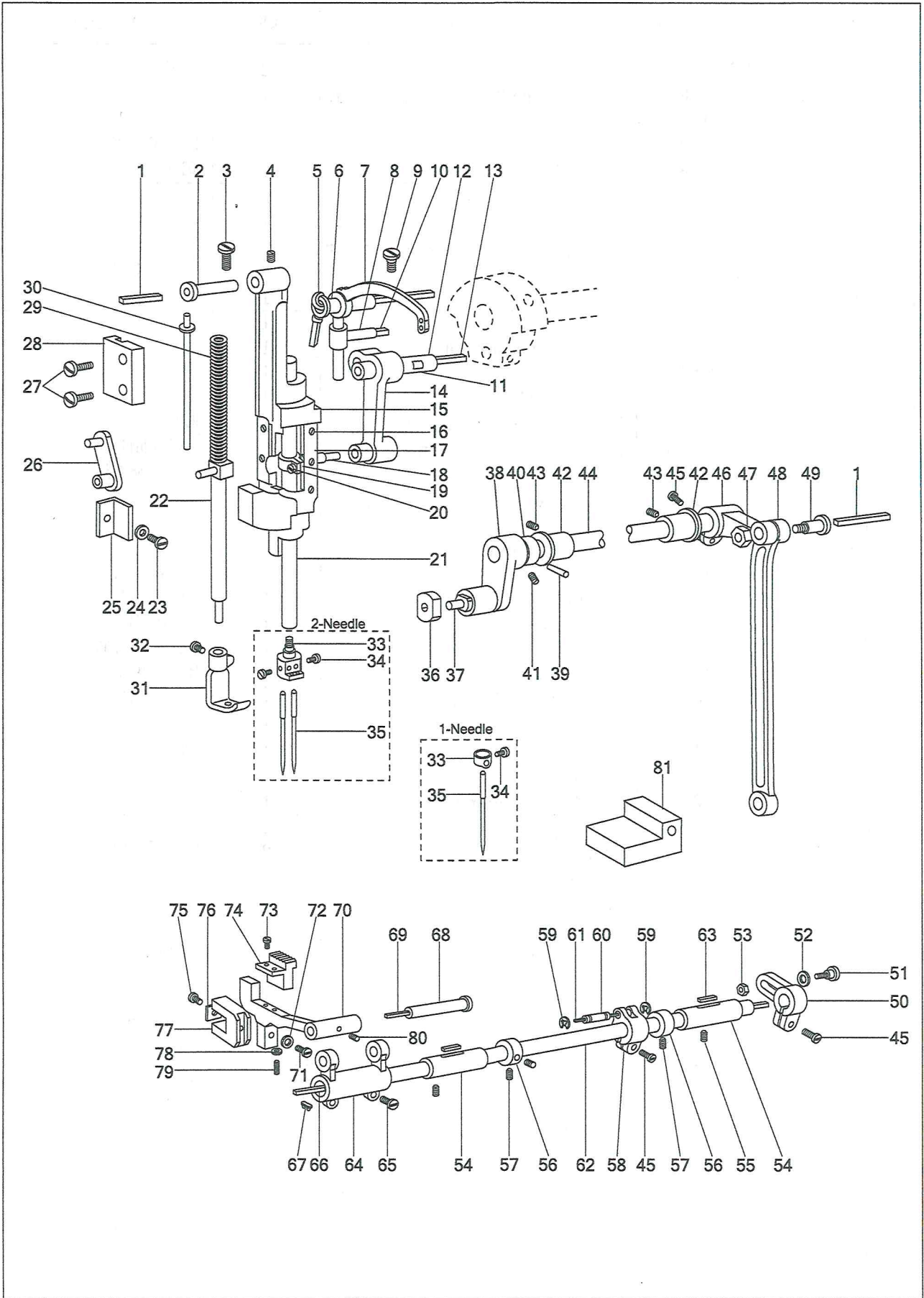
### 3. Upper shaft and presser foot components



### 3. Upper shaft and presser foot components

| No. | Part number | Name                               | Qt. | Remark           |
|-----|-------------|------------------------------------|-----|------------------|
| 1   | 43WF2-001   | Upper shaft                        | 1   | L18//HL18        |
|     | 45WF2-001   | Upper shaft                        | 1   | L30-D1T3         |
| 2   | 1WF2-022    | Upper shaft bushing (front)        | 1   |                  |
| 3   | 1WF2-023    | Screw                              | 1   | SM1/4"×24/13     |
| 4   | 1WF2-024    | Oil felt                           | 1   |                  |
| 5   | 1WF2-021    | Needle crank                       | 1   |                  |
| 6   | 1WF2-020    | Screw                              | 1   | SM9/32"/28       |
| 7   | 1WF2-007    | Screw                              | 1   | GB7-1            |
| 8   | 1WF2-010    | Screw                              | 3   | SM1/4"×40/7      |
| 9   | 1WF2-009    | Screw                              | 1   | SM1/4"×40/4      |
| 10  | 1WF5-026    | Eccentric cam                      | 1   |                  |
| 11  |             | Stop ring                          | 1   | φ25 GB894. 1-86  |
| 12  | 1WF5-041    | Slot for front crank sliding block | 1   |                  |
| 13  | 1WF2-026    | Stop ring                          | 3   |                  |
| 14  | 1WF2-030    | Screw                              | 3   | SM15/64"×28/8.5  |
| 15  | 1WF2-029    | Screw                              | 1   | SM15/64"×28/15   |
| 16  |             | Ball bearing                       | 1   |                  |
| 17  | 1WF2-031    | Upper shaft bushing (rear)         | 1   |                  |
| 18  | 1WF2-019    | Screw                              | 2   | SM15/64"×28/12   |
| 19  | 1WF2-032    | Hand wheel                         | 1   |                  |
| 20  | 1WF2-044    | Screw                              | 2   | SM15/64"×28/4.5  |
| 21  | 1WF2-028    | Toothed belt                       | 1   | L18//HL18        |
|     | 94WF2-001   | Toothed belt                       | 1   | L30-D1T3         |
| 22  | 1WF2-039    | Spring plate                       | 1   |                  |
| 23  | 1WF2-037    | Pin                                | 1   |                  |
| 24  | 1WF2-041    | Spring                             | 1   |                  |
| 25  |             | Split stop ring                    | 1   | φ3 GB896-86      |
| 26  | 1WF2-040    | Stop plate                         | 1   |                  |
| 27  | 1WF2-048    | Nail                               | 1   |                  |
| 28  | 1WF2-045    | Braking plate                      | 1   |                  |
| 29  | 1WF2-042    | Connector                          | 1   |                  |
| 30  | 1WF2-046    | Bushing                            | 1   |                  |
| 31  | 1WF2-047    | Screw                              | 1   | SM15/64"×28/10.5 |
| 32  | 1WF2-038    | Screw                              | 1   | SM15/64"×28/10   |
| 33  | 1WF5-001    | Nut                                | 1   |                  |
| 34  | 1WF5-025    | Link lever                         | 1   |                  |
| 35  | 1WF5-044    | Bolt                               | 1   |                  |
| 36  |             | Washer                             | 1   | 6 GB95-85        |
| 37  | 1WF5-023    | Oil pipe assembly                  | 1   |                  |
| 38  | 1WF5-024    | Spring                             | 1   |                  |
| 39  | 1WF5-045    | Presser foot lifting crank (rear)  | 1   |                  |
| 40  | 1WF4-018    | Screw                              | 3   | SM1/4"×24/16     |
| 41  | 1WF5-038    | Presser foot lifting crank (front) | 1   |                  |
| 42  | 1WF5-028    | Screw                              | 2   | SM1/4"×24/8      |
| 43  | 1WF5-037    | Bushing                            | 2   |                  |
| 44  | 1WF5-030    | Link lever                         | 1   |                  |
| 45  | 1WF5-029    | Screw                              | 1   |                  |
| 46  | 1WF5-032    | Screw                              | 1   | SM11/64"×40/6    |
| 47  | 1WF5-033    | Presser foot lifting movable plate | 1   |                  |
| 48  | 1WF5-034    | Rolling ball shaft                 | 1   |                  |
| 49  | 1WF5-035    | Rolling ball                       | 1   |                  |
| 50  |             | Washer                             | 2   | 4 GB848-85       |
| 51  | 1WF5-042    | Screw                              | 2   | SM11/64"×40/10   |
| 52  | 1WF2-027    | Upper shaft timing pulley          | 1   |                  |
| 53  | 1WF2-037    | Lower shaft timing pulley          | 1   |                  |
| 54  | 43WF3-004   | Bobbin winding shaft               | 1   |                  |
| 55  | JO. 0. 40   | Screw                              | 2   |                  |
| 56  | 43WF2-003   | Upper shaft bushing (middle)       | 1   |                  |
| 57  | 45WF2-003   | Bushing                            | 1   | L30-D1T3         |

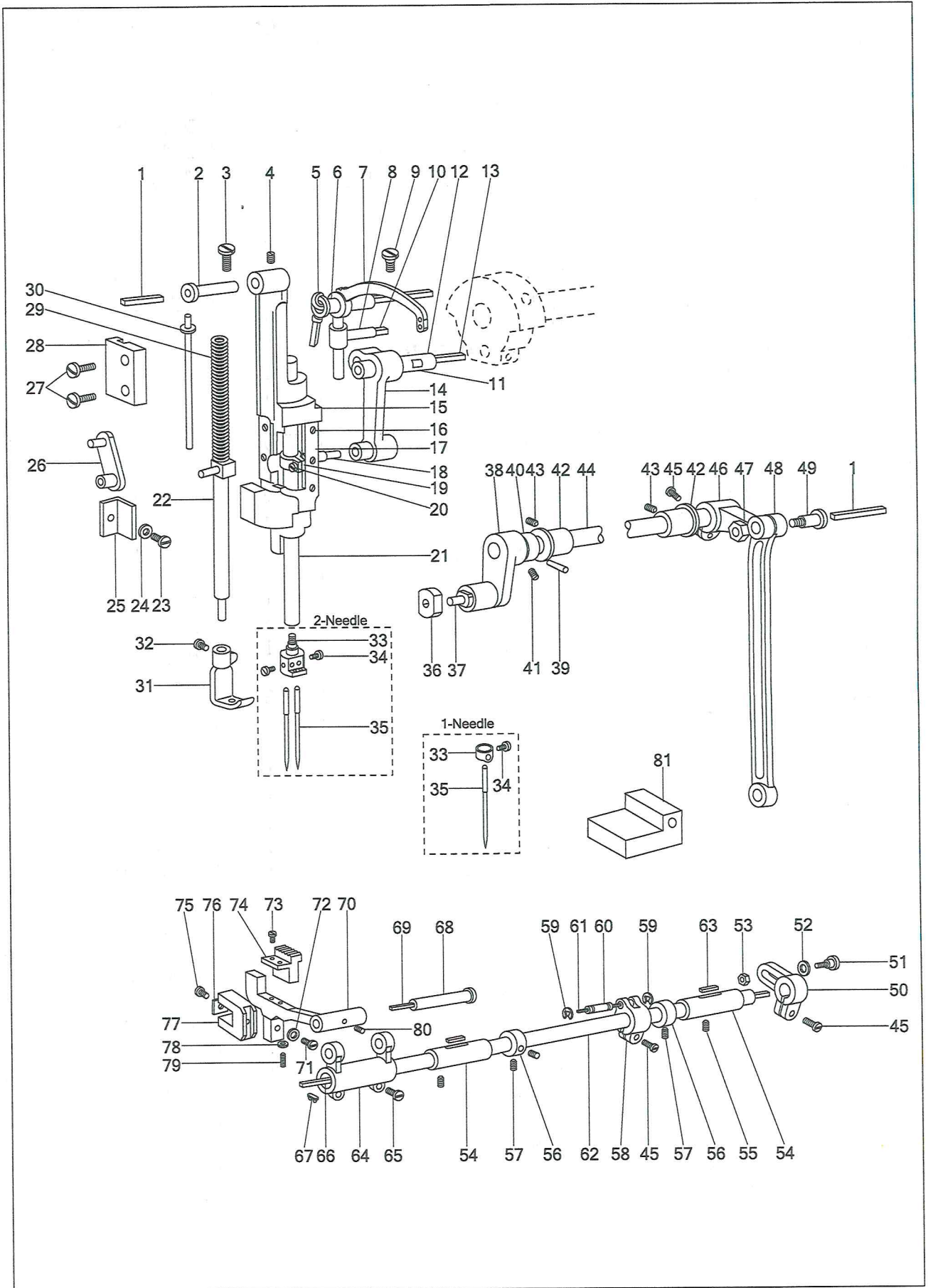
# 4. Needle bar and lower feed components



#### 4. Needle bar and lower feed components

| No. | Part number | Name                               | Qt. | Remark           |
|-----|-------------|------------------------------------|-----|------------------|
| 1   | 1WF5-017    | Oil wick                           | 2   | φ2.5×80          |
| 2   | 1WF5-018    | Shaft for needle bar rocking frame | 1   |                  |
| 3   | 1WF5-031    | Screw                              | 1   | SM5/16"×28/10    |
| 4   | 1WF5-019    | Screw                              | 1   | SM15/64"×28/8    |
| 5   | 1WF2-018    | Oil wick                           | 1   | φ2.5×240         |
| 6   | 1WF2-017    | Bushing                            | 1   |                  |
| 7   | 1WF2-016    | Thread take-up lever               | 1   |                  |
| 8   | 1WF2-011    | Thread take-up lever sliding block | 1   |                  |
| 9   | 1WF2-019    | Screw                              | 1   | SM15/64"×28/12   |
| 10  | 1WF2-012    | Oil wick                           | 1   | φ3×25            |
| 11  | 1WF2-013    | Plug                               | 1   |                  |
| 12  | 1WF2-014    | Needle bar crank pin               | 1   |                  |
| 13  | 1WF2-015    | Oil wick                           | 1   | φ3×80            |
| 14  | 1WF2-008    | Needle bar link                    | 1   |                  |
| 15  | 1WF5-011    | Needle bar rocking frame           | 1   | HL18             |
|     | 94WF5-003   | Needle bar rocking frame           | 1   | L18/L30-D1T3     |
| 16  | 1WF5-013    | Screw                              | 6   | SM3/32"×56/4.6   |
| 17  | 1WF5-012    | Shim needle bar rocking frame      | 2   |                  |
| 18  | 1WF2-007    | Oil felt                           | 1   |                  |
| 19  | 1WF2-005    | Needle bar connector               | 1   |                  |
| 20  | 1WF2-006    | Screw                              | 1   | SM9/64"×40/8.5   |
| 21  | 1WF2-004    | Needle bar                         | 1   | L18/L30-D1T3     |
|     | 94WF2-002   | Needle bar                         | 1   | GC20606HL118     |
|     | 1WF2-001    | Needle bar                         | 1   | -1L18/-1L30-D1T3 |
|     | 101WF2-001  | Needle bar                         | 1   | GC20606-1HL18    |
| 22  | 1WF2-006    | Rocking pressing bar               | 1   | L18/L30-D1T3     |
|     | 94WF5-001   | Rocking pressing bar               | 1   | HL18             |
| 23  | 1WF5-010    | Screw                              | 1   | SM11/64"×40/12   |
| 24  | 22T1-007    | Washer                             | 1   | GB848-85         |
| 25  | 1WF5-009    | Needle bar holder guide            | 1   |                  |
| 26  | 1WF5-036    | Pressing bar link                  | 1   |                  |
| 27  | 1WF3-009    | Screw                              | 2   | SM11/64"×40/15   |
| 28  | 1WF5-014    | Guiding plate                      | 1   |                  |
| 29  | 1WF5-016    | Spring                             | 1   |                  |
| 30  | 1WF5-015    | Spring bar                         | 1   |                  |
| 31  | 1WF5-043    | Inner presser foot                 | 1   | (GC20606L18)     |
|     | 35T5-502    | Inner presser foot                 | 1   | (GC20606-1L18)   |
| 32  | 22T2-004    | Screw                              | 1   |                  |
| 33  | 1WF2-003    | Needle holder                      | 1   | (GC20606L18)     |
|     | 35T1-103    | Needle bar thread guide            | 1   | (GC20606-1L18)   |
| 34  | 1WF2-002    | Needle holder screw                | 2   | SM9/64"×40/4.3   |
|     | 22T2-017    | Needle set screw                   | 1   | (GC20606-1L18)   |
| 35  | 1F-009      | Needle                             | 2   | DP×17 23#        |
| 36  | 1WF5-007    | Needle bar rocking sliding block   | 1   |                  |
| 37  | 1WF5-008    | Sliding block shaft                | 1   |                  |
| 38  | 1WF5-020    | Needle bar rocking left crank      | 1   |                  |
| 39  |             | Pin                                | 1   | A4×24 GB117-86   |
| 40  | 1WF5-021    | Washer                             | 1   |                  |

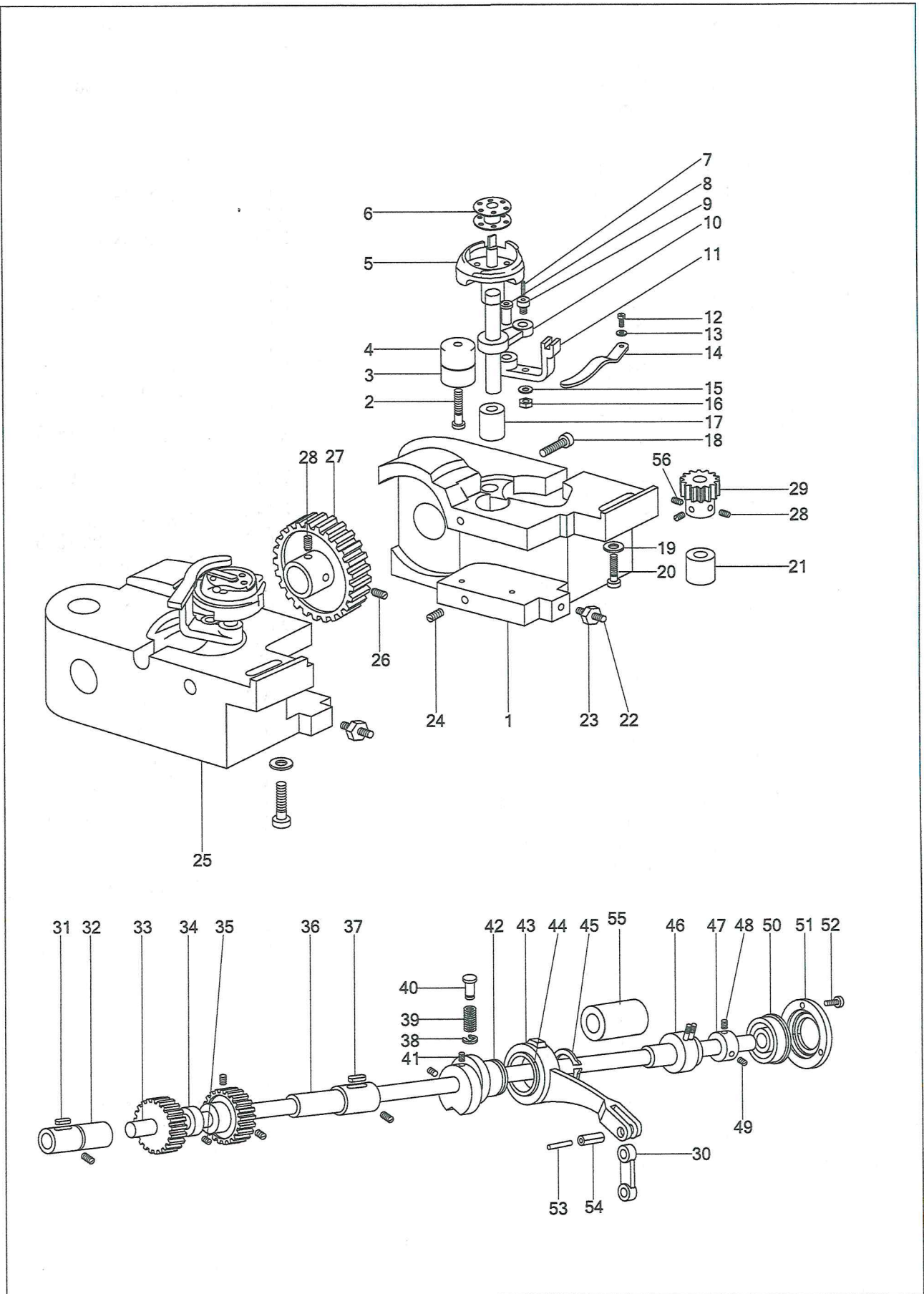
# 4. Needle bar and lower feed components



#### 4. Needle bar and lower feed components

| No. | Part number | Name                     | Qt. | Remark         |
|-----|-------------|--------------------------|-----|----------------|
| 41  | 1WF5-022    | Screw                    | 2   |                |
| 42  | 1WF5-027    | Bushing                  | 2   |                |
| 43  | 1WF5-028    | Screw                    | 2   | SM1/4"×24/8    |
| 44  | 43WF5-001   | Needle bar rocking shaft | 1   | L18/HL18       |
|     | 45WF5-001   | Needle bar rocking shaft | 1   | L30-D1T3       |
| 45  | 1WF4-018    | Screw                    | 3   |                |
| 46  | 1WF5-005    | Rear crank               | 1   |                |
| 47  | 1WF5-004    | Nut                      | 1   |                |
| 48  | 1WF5-003    | Link lever               | 1   | L18/L30-D1T3   |
|     | 94WF5-002   | Link lever               | 1   | HL18           |
| 49  | 1WF5-049    | Screw                    | 1   |                |
| 50  | 1WF5-002    | Feed shaft right crank   | 1   |                |
| 51  | 1WF5-046    | Pin                      | 1   |                |
| 52  | 1WF5-047    | Washer                   | 1   |                |
| 53  | 1WF5-001    | Nut                      | 1   |                |
| 54  | 1WF4-052    | Feed shaft bushing       | 2   |                |
| 55  | 1WF2-023    | Screw                    | 2   |                |
| 56  | 1WF4-054    | Collar                   | 2   | SM1/4"×40/4    |
| 57  | 1WF2-009    | Screw                    | 4   |                |
| 58  | 1WF4-017    | Feed crank               | 1   | 5 GB896-86     |
| 59  |             | Split stop ring          | 2   |                |
| 60  | 1WF4-019    | Crank pin                | 1   | φ3×55          |
| 61  | 1WF4-020    | Oil wick                 | 1   | L18/HL18       |
| 62  | 43WF4-001   | Feed shaft               | 1   | L30-D1T3       |
|     | 45WF4-001   | Feed shaft               | 1   |                |
| 63  | 1WF4-038    | Oil felt                 | 2   |                |
| 64  | 1WF4-035    | Connecting crank (left)  | 1   | SM3/16"×28/12  |
| 65  | 1WF4-034    | Screw                    | 2   | φ2.5×430       |
| 66  | 1WF4-030    | Oil wick                 | 1   |                |
| 67  | 1WF4-029    | Oil wick clamp           | 1   |                |
| 68  | 1WF4-036    | Crank shaft              | 1   |                |
| 69  | 1WF4-031    | Oil wick                 | 1   | (GC20606L18)   |
| 70  | 1WF4-001    | Feed dog support         | 1   | (GC20606-1L18) |
|     | 9WF4-001    | Feed dog support         | 1   | SM15/64"×28/16 |
| 71  | 1WF4-032    | Screw                    | 1   | 6 GB95-85      |
| 72  |             | Washer                   | 1   | SM1/8"×40/7    |
| 73  | 1WF4-005    | Screw                    | 2   | (GC20606L18)   |
| 74  | 1WF4-004    | Feed dog                 | 1   | (GC20606-1L18) |
|     | 9WF4-002A   | Feed dog                 | 1   | SM1/8"×44/4    |
| 75  | 1WF4-007    | Screw                    | 1   |                |
| 76  | 1WF4-008    | Oil felt                 | 1   |                |
| 77  | 1WF4-009    | Feed dog lifting fork    | 1   | SM1/8"×40/13.5 |
| 78  | 1WF4-002    | Nut                      | 1   | SM11/64"×40/6  |
| 79  | 1WF4-003    | Screw                    | 1   |                |
| 80  | 1WF4-033    | Screw                    | 1   |                |
| 81  | 94WF3-003   | Guider                   | 1   | HL18           |

## 5. Lower shaft thread looping components



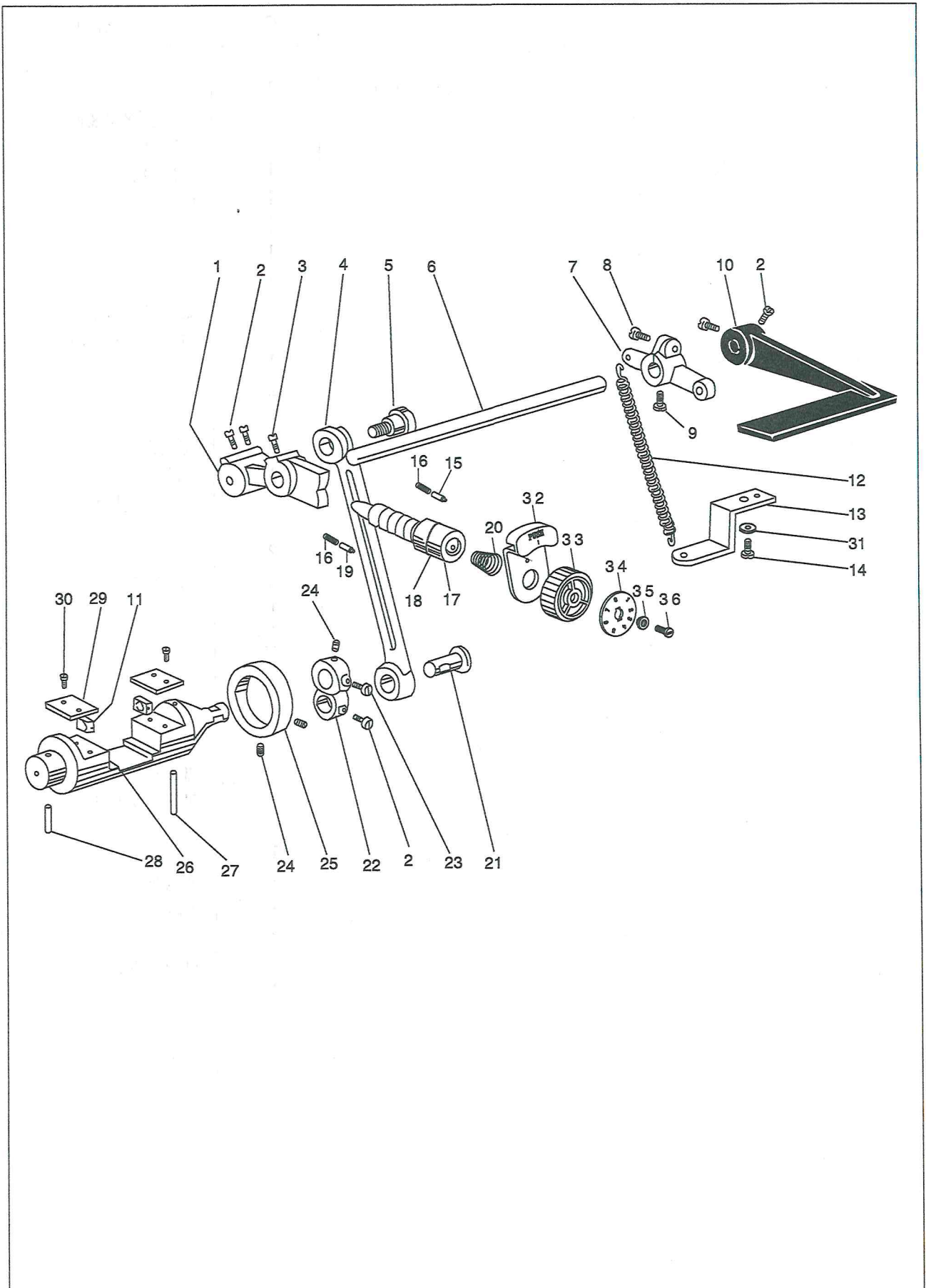


## 5. Lower shaft thread looping components

| No. | Part number | Name                                  | Qt.   | Remark           |
|-----|-------------|---------------------------------------|-------|------------------|
| 1   | 1WF2-063    | Right hook saddle                     | 1     |                  |
| 2   | 1WF2-060    | Screw                                 | 2 (1) | SM14/64"×28      |
| 3   | 1WF2-059    | Upper bushing                         | 2 (1) |                  |
| 4   | 1WF2-061    | Lower bushing                         | 2 (1) |                  |
| 5   | 1WF2-064    | Rotary hook assembly                  | 2 (1) |                  |
| 6   | 1WF2-065    | Bobbin                                | 2 (1) |                  |
| 7   | 1WF2-070    | Oil wick                              | 2 (1) | φ2.5×14          |
| 8   | 1WF2-069    | Hinge shaft                           | 2 (1) |                  |
| 9   | 1WF2-072    | Screw                                 | 2 (1) | SM3/16"×32       |
| 10  | 1WF2-071    | Link lever                            | 2 (1) |                  |
| 11  | 1WF2-075    | Inner hook finger bracket             | 2 (1) |                  |
| 12  | 1WF2-026    | Screw                                 | 2 (1) | SM9/64"×40/4.5   |
| 13  |             | Washer                                | 2 (1) | 4 GB848-85       |
| 14  | 1WF2-076    | Inner hook finger                     | 2 (1) |                  |
| 15  |             | Washer                                | 2 (1) | 4 GB848-85       |
| 16  | 1WF2-074    | Nut                                   | 2 (1) | SM3/16"×32       |
| 17  | 1WF2-062    | Upper bushing                         | 2 (1) |                  |
| 18  | 1WF2-034    | Screw                                 | 2 (1) | SM3/16"×28/14.5  |
| 19  |             | Washer                                | 2 (1) | 6 GB95-85        |
| 20  | 1WF2-033    | Screw                                 | 2 (1) | SM1/4"×24/20     |
| 21  | 1WF2-077    | Lower bushing                         | 2 (1) |                  |
| 22  | 1WF2-067    | Nut                                   | 2 (1) | SM3/16"×28       |
| 23  | 1WF2-066    | Screw                                 | 2 (1) | SM3/16"×28/25.5  |
| 24  | 1WF2-044    | Screw                                 | 2 (1) | SM1/4"×40/5      |
| 25  | 1WF2-068    | Left hook saddle                      | 1     |                  |
| 26  | 1WF2-052    | Screw                                 | 2 (1) | SM1/4"×40/4      |
| 27  | 1WF2-078    | Spiral gear                           | 2 (1) |                  |
| 28  | 1WF2-009    | Screw                                 | 6 (3) |                  |
| 29  | 1WF2-079    | Spiral gear                           | 2     |                  |
| 30  | 1WF2-055    | Feed link                             | 1     |                  |
| 31  | 1WF2-035    | Lower shaft bushing (left)            | 1     |                  |
| 32  | 1WF2-036    | Oil wick                              | 1     | φ25×45           |
| 33  | 43WF2-002   | Lower shaft                           | 1     | L18/HL18         |
|     | 45WF2-002   | Lower shaft                           | 1     | L30-D1T3         |
| 34  | 1WF2-006    | Feed dog lifting cam                  | 1     |                  |
| 35  | 1WF2-019    | Screw                                 | 1     | SM15/64"×28/12   |
| 36  | 43WF2-004   | Lower shaft bushing (right)           | 1     |                  |
| 37  | 1WF2-058    | Oil wick                              | 1     | φ2.5×85          |
| 38  |             | Stop ring                             | 1     | 5 GB896-86       |
| 39  | 1WF4-041    | Spring                                | 1     |                  |
| 40  | 1WF4-042    | Button                                | 1     |                  |
| 41  | 1WF4-010    | Screw                                 | 2     | SM15/64"×28/13.5 |
| 42  | 1WF4-011    | Feed cam                              | 1     |                  |
| 43  | 1WF4-012    | Feed link                             | 1     |                  |
| 44  |             | Needle bearing                        | 1     |                  |
| 45  |             | Stop ring                             | 1     | 26 GB894.1-86    |
| 46  | 1WF2-055    | Lower shaft bushing assembly (middle) | 1     |                  |
| 47  | 1WF2-051    | Lower shaft bushing (rear)            | 1     |                  |
| 48  | 1WF2-009    | Screw                                 | 1     | SM1/4"×40/4      |
| 49  | 1WF2-052    | Screw                                 | 1     | SM1/4"×40/5      |
| 50  |             | Bearing                               | 1     |                  |
| 51  | 1WF2-050    | Bearing pressing ring                 | 1     |                  |
| 52  | 1WF2-049    | Screw                                 | 3     | SM9/64"×40/7     |
| 53  | 1WF4-044    | Oil wick                              | 1     |                  |
| 54  | 1WF4-043    | Pin                                   | 1     |                  |
| 55  | 45WF2-004   | Bushing                               | 1     | L30-D1T3         |
| 56  | 199WF1-052  | Screw                                 | 2 (1) |                  |

Note: the figure in the bracket is the parts quantity of single needle machine

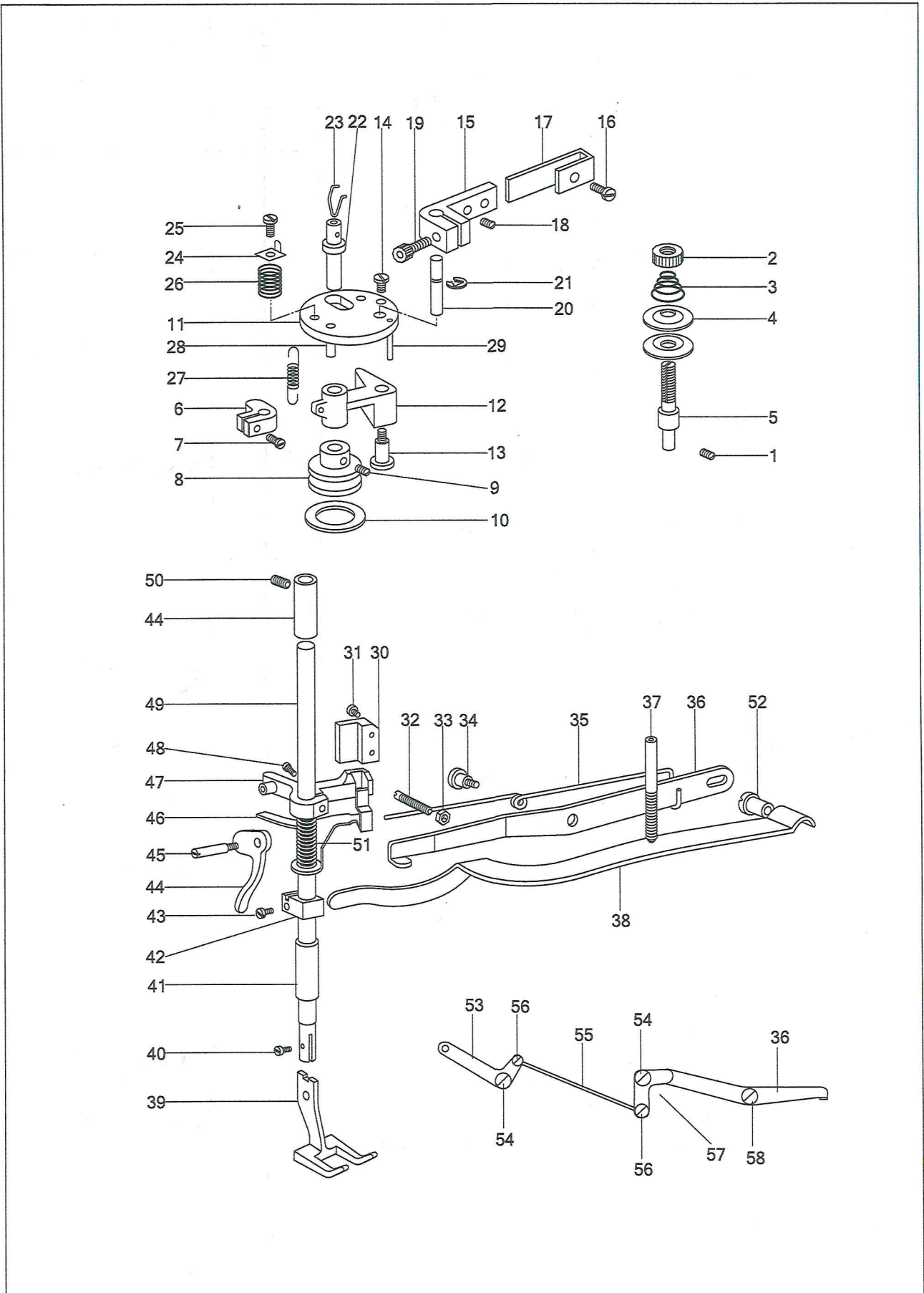
## 6. Stitch length adjustment components



## 6. Stitch length adjustment components

| No. | Part number            | Name                                  | Qt. | Remark           |
|-----|------------------------|---------------------------------------|-----|------------------|
| 1   | 1WF4-025               | Stitch length adjusting rocking lever | 1   |                  |
| 2   | 1WF2-030               | Screw                                 | 5   | SM15/64"×28/8.5  |
| 3   | 1WF4-026               | Set screw                             | 1   | SM15/64"×28/12   |
| 4   | 1WF4-014               | Stitch length link                    | 1   | L18/L30-D1T3     |
|     | 94WF4-002              | Stitch length link                    | 1   | HL18             |
| 5   | 1WF4-028               | Eccentric shaft                       | 1   |                  |
| 6   | 1WF4-046               | Reverse feed shaft                    | 1   |                  |
| 7   | 1WF4-047               | Reverse feed crank                    | 1   |                  |
| 8   | 1WF4-027               | Screw                                 | 1   | SM15/64"×28/13   |
| 9   | 1WF4-021               | Screw                                 | 1   | SM15/64"×40/10.5 |
| 10  | 1WF4-048               | Reverse feed lever                    | 1   |                  |
| 11  | 1WF4-040               | Sliding block                         | 2   |                  |
| 12  | 1WF4-049               | Crank spring                          | 1   |                  |
| 13  | 1WF4-050               | Spring bracket                        | 1   | L18/L30-D1T3     |
|     | 94WF-001               | Spring bracket                        | 1   | HL18             |
| 14  | 1WF4-051               | Screw                                 | 1   | SM11/64"×40/8    |
| 15  | 36T5-012               | Stop pin                              | 1   |                  |
| 16  | 22T5-009               | Spring                                | 2   |                  |
| 17  | 1WF4-023               | Screw bar                             | 1   | L18/L30-D1T3     |
|     | 43WF4-002              | Screw bar                             | 1   | HL18             |
| 18  | 33T2-030-A             | ?O? type seal                         | 1   |                  |
| 19  | 7WF2-006               | Stitch length dial                    | 1   |                  |
| 20  | 36T5-011               | Screw                                 | 1   |                  |
| 21  | 1WF4-013               | Stitch length adjusting crank shaft   | 1   |                  |
| 22  | 1WF4-015               | Stitch length adjusting crank         | 1   |                  |
| 23  | 1WF2-038               | Screw                                 | 1   | SM15/64"×28/10   |
| 24  | 1WF4-016               | Screw                                 | 3   | SM15/64"×28/6    |
| 25  | 1WF4-053               | Collar                                | 1   |                  |
| 26  | 1WF4-057               | Reverse feed adjusting bracket        | 1   |                  |
| 27  | 1WF4-045               | Oil wick                              | 1   | Φ3×26            |
| 28  | 1WF4-039               | Oil wick                              | 1   | Φ4×16            |
| 29  | 1WF4-056               | Guiding plate                         | 2   |                  |
| 30  | 1WF1-011               | Screw                                 | 4   | SM11/64"×40/9    |
| 31  | 22T1-007               | Washer                                | 1   |                  |
| 32  | 7WF2-005               | Push plate                            | 1   |                  |
| 33  | 36T5-007D <sub>2</sub> | Stitch dial                           | 1   |                  |
| 34  | 1WF4-058A              | Stitch length plate                   | 1   |                  |
| 35  | 36T5-007D4             | Bush                                  | 1   |                  |
| 36  | 36T5-007D5             | Screw                                 | 1   |                  |

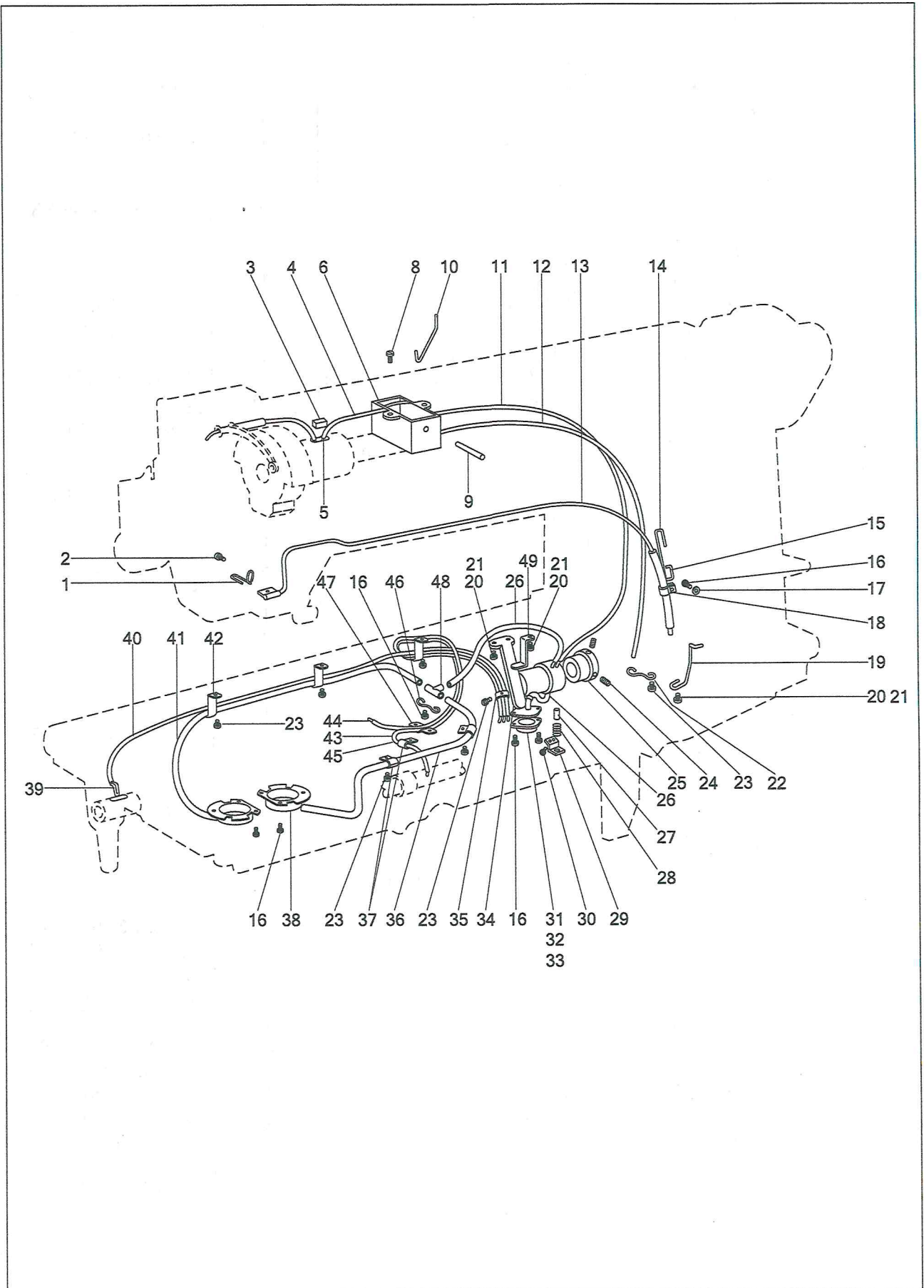
## 7. Knee lifter and winding components



## 7. Knee lifter and winding components

| No. | Part number | Name                             | Qt. | Remark         |
|-----|-------------|----------------------------------|-----|----------------|
| 1   | 13WF4-027   | Screw                            | 1   |                |
| 2   | 13WF6-029   | Nut                              | 1   |                |
| 3   | 33T4-008C1  | Thread tension spring            | 1   |                |
| 4   | 22T1-012F5  | Thread tension disc              | 2   |                |
| 5   | 13WF6-028   | Thread tension shaft             | 1   |                |
| 6   | 13WF6-012   | Crank                            | 1   |                |
| 7   | 13WF6-014   | Screw                            | 1   |                |
| 8   | 13WF6-017   | Bobbin winding pulley            | 1   |                |
| 9   | 13WF6-018   | Screw                            | 2   |                |
| 10  | 13WF6-019   | Friction ring                    | 1   |                |
| 11  | 13WF6-001   | Winder base                      | 1   |                |
| 12  | 13WF6-021   | Winding crank                    | 1   |                |
| 13  | 13WF6-022   | Pin                              | 1   |                |
| 14  | 13WF6-002   | Screw (lower)                    | 1   |                |
| 15  | 13WF6-006   | Winding spanner                  | 1   |                |
| 16  | 13WF6-007   | Spring lever                     | 1   |                |
| 17  | 13WF6-008   | Screw                            | 1   |                |
| 18  | 13WF6-009   | Screw                            | 1   |                |
| 19  | 13WF6-010   | Screw                            | 1   |                |
| 20  | 13WF6-011   | Winding spanner shaft            | 1   |                |
| 21  |             | Stop ring                        | 1   | 3.5 GB896-86   |
| 22  | 13WF6-015   | Winder shaft                     | 1   |                |
| 23  | 13WF6-016   | Locking ring                     | 1   |                |
| 24  | 13WF6-005   | Bobbin thread trimmer            | 1   |                |
| 25  | 13WF6-003   | Screw (upper)                    | 1   |                |
| 26  | 13WF6-004   | Spring                           | 1   |                |
| 27  | 13WF6-025   | Spring                           | 1   |                |
| 28  | 33WF6-020   | Positioning pin                  | 1   |                |
| 29  | 13WF6-013   | Positioning pin                  | 1   |                |
| 30  | 1WF5-040    | Slot for sliding block           | 1   |                |
| 31  | 1WF5-039    | Screw                            | 2   | SM1/64"×40/12  |
| 32  | 1WF3-011    | Screw                            | 1   | SM1/4"×24/16.5 |
| 33  | 1WF3-010    | Nut                              | 1   |                |
| 34  | 1WF3-013    | Screw                            | 1   |                |
| 35  | 1WF3-014    | Spring                           | 1   |                |
| 36  | 1WF3-012    | Knee lifting lever               | 1   |                |
|     | 1WF3-012-D  | Knee lifting lever               | 1   | -DIT3          |
| 37  | 1WF3-015    | Screw                            | 1   |                |
| 38  | 1WF3-016    | Presser bar spring lever         | 1   |                |
| 39  | 1WF3-001    | Outer presser foot               | 1   | 2-needle       |
| 40  | 9WF3-001    | Outer presser foot               | 1   | 1-needle       |
| 41  | 1WF3-002    | Screw                            | 1   |                |
| 42  | 1WF3-004    | Presser bar bushing              | 2   |                |
| 43  | 1WF3-005    | Presser bar spring lever bracket | 1   |                |
| 44  | 1WF2-006    | Screw                            | 1   | SM9/64"×40/8.5 |
| 45  | 1WF3-023    | Presser foot lifting bar         | 1   |                |
| 46  | 1WF3-022    | Screw                            | 1   |                |
| 47  | 1WF3-007    | Thread releasing plate           | 1   |                |
| 48  | 1WF3-008    | Presser bar guiding bracket      | 1   |                |
| 49  | 1WF3-009    | Screw                            | 1   | SM11/64"×40/15 |
|     | 1WF3-003    | Presser bar                      | 1   | LI8/L30-DIT3   |
|     | 94WF3-001   | Presser bar                      | 1   | HL18           |
| 50  | 1WF3-023    | Screw                            | 2   | SM1/4"×24×23   |
| 51  | 1WF3-006    | Thread releasing spring lever    | 1   |                |
| 52  | 1WF3-018    | Screw                            | 1   |                |
| 53  | 43WF3-012   | Crank assembly                   | 1   |                |
| 54  | 1WF3-017    | Screw                            | 2   |                |
| 55  | 43WF3-010   | Bar                              | 1   |                |
| 56  | 43WF3-011   | Screw                            | 2   |                |
| 57  | 43WF3-009A  | Crank                            | 1   |                |
| 58  | 1WF3-013    | Screw                            | 1   |                |

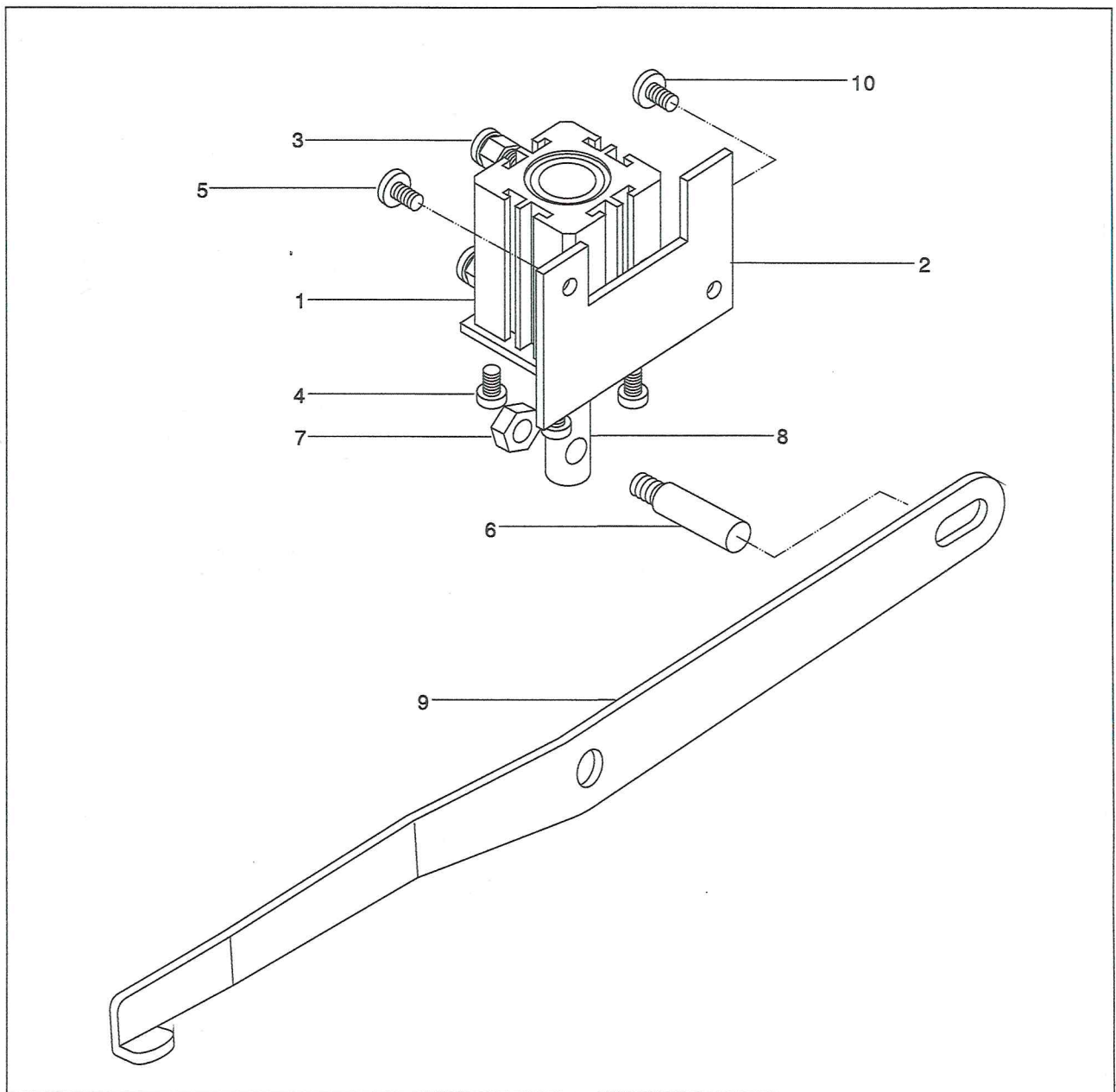
## 8. Lubrication components



## 8. Lubrication components

| No. | Part number | Name                           | Qt. | Remark               |
|-----|-------------|--------------------------------|-----|----------------------|
| 1   | 1WF6-001    | Oil felt press spring          | 1   |                      |
| 2   | 1WF6-034    | Screw                          | 1   | SM3/16"×28/12        |
| 3   | 1WF6-003    | Oil felt                       | 1   |                      |
| 4   | 1WF6-005A   | Oil pipe                       | 1   | 3D×0.5×60            |
| 5   | 1WF6-004    | Oil wick                       | 1   |                      |
| 6   | 1WF6-007    | Oil cup                        | 1   |                      |
| 8   |             | Screw                          | 2   | M4×16 GB69-85        |
| 9   | 1WF6-009    | Pin                            | 1   |                      |
| 10  | 1WF6-006    | Oil wick press spring          | 1   |                      |
| 11  | 1WF6-010    | Oil pipe                       | 1   | 3D×1×400             |
| 12  | 1WF6-011    | Oil draining pipe              | 1   | 5D×1×400             |
| 13  | 1WF6-002    | Oil wick                       | 1   | φ2.5×550             |
| 14  | 1WF6-013    | Oil pipe positioning clamp     | 1   |                      |
| 15  | 1WF6-012    | Needle bar oil returning pipe  | 1   | 3D×0.5×150           |
| 16  | 1WF1-024    | Screw                          | 10  | SM9/64"×40/9         |
| 17  |             | Washer                         | 1   | 4 GB7246-87          |
| 18  | 1WF6-042    | Oil returning pipe clamp       | 1   |                      |
| 19  | 1WF6-014    | Set spring                     | 1   |                      |
| 20  | 1WF1-011    | Screw                          | 4   | SM11/64"×40/9        |
| 21  | 22T1-007    | Washer                         | 4   |                      |
| 22  | 1WF6-021    | Oil draining pipe end clamp    | 1   |                      |
| 23  | 1WF1-026    | Screw                          | 8   | SM9/64"×40/4.5       |
| 24  | 1WF2-053    | Screw                          | 2   | SM11/64"×40/10       |
| 25  | 1WF2-054    | Bushing                        | 1   |                      |
| 26  | 1WF6-027    | Oil pipe                       | 2   | 3D×1×90              |
| 27  | 1WF6-025    | Plunger                        | 1   |                      |
| 28  | 1WF6-024    | Plunger spring                 | 1   |                      |
| 29  | 1WF6-023    | Plunger spring stopper         | 1   |                      |
| 30  | 1WF6-026    | Screw                          | 1   | SM1/8"×44/4.5        |
| 31  | 1WF6-018    | Oil filter                     | 1   |                      |
| 32  | 1WF6-019    | Washer                         | 1   |                      |
| 33  | 1WF6-020    | Filter net                     | 1   | H62                  |
| 34  | 1WF6-017    | Oil filter fixing plate        | 1   |                      |
| 35  | 1WF6-028    | Oil pipe clamp                 | 1   |                      |
| 36  | 1WF6-035    | Oil pipe for right hook saddle | 1   |                      |
| 37  | 1WF6-036    | Oil pipe clamp                 | 3   |                      |
| 38  | 1WF6-038    | Oil tray assembly              | 2   | (GC20606L18)         |
|     |             | Oil tray assembly              | 1   | (GC20606-1L18)       |
| 39  | 1WF6-041    | Oil wick                       | 1   | φ2.5×430             |
| 40  | 1WF6-040    | Oil pipe                       | 1   | 3D×0.5×410           |
| 41  | 1WF6-039    | Oil pipe                       | 1   |                      |
| 42  | 1WF6-034    | Oil pipe clamp                 | 3   | 3D×1×445(GC20606L18) |
| 43  | 1WF6-032    | Oil pipe                       | 2   | 3D×0.5×220           |
| 44  | 1WF6-037    | Oil wick                       | 1   | φ2.5×300             |
| 45  | 1WF6-033    | Oil wick                       | 1   | φ2.5×240             |
| 46  | 1WF6-030    | Clamp                          | 1   | (GC20606L18)         |
| 47  | 1WF6-031    | Oil pipe clamp                 | 1   |                      |
| 48  | 1WF6-029    | Oil nozzle assembly            | 1   | (GC20606L18)         |
| 49  | 1WF6-015    | Oil filter fixing bracket      | 1   |                      |

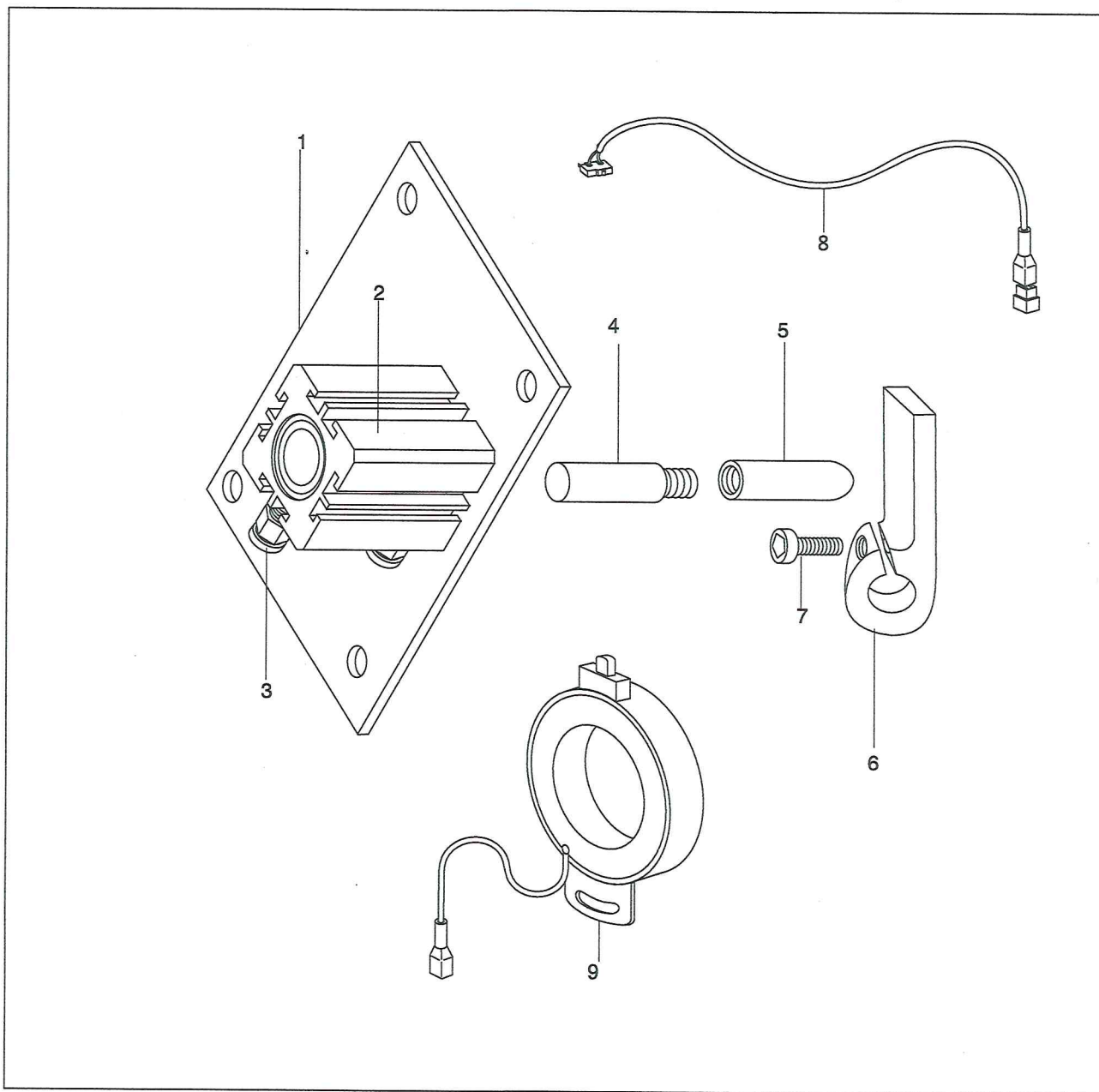
### 9. Auto-lifter components (GC20606/-1L30-D1T3)



| No. | Part number | Name       | Qt. | Remark          |
|-----|-------------|------------|-----|-----------------|
| 1   | 45WF6-003   | Cylinder   | 1   |                 |
| 2   | 45WF7-001   | Bracket    | 1   |                 |
| 3   | 93WF22-006  | Joint      | 2   |                 |
| 4   |             | Screw      | 4   | GB/T 70.1 M6×20 |
| 5   | 1WF1-011    | Screw      | 1   |                 |
| 6   | 45WF7-003   | Bar        | 1   |                 |
| 7   | 42WF5-013   | Nut        | 1   |                 |
| 8   | 45WF7-002   | Lever      | 1   |                 |
| 9   | 1WF3-012-D  | Knee lever | 1   |                 |
| 10  | 43WF3-01-DA | Screw      | 1   |                 |

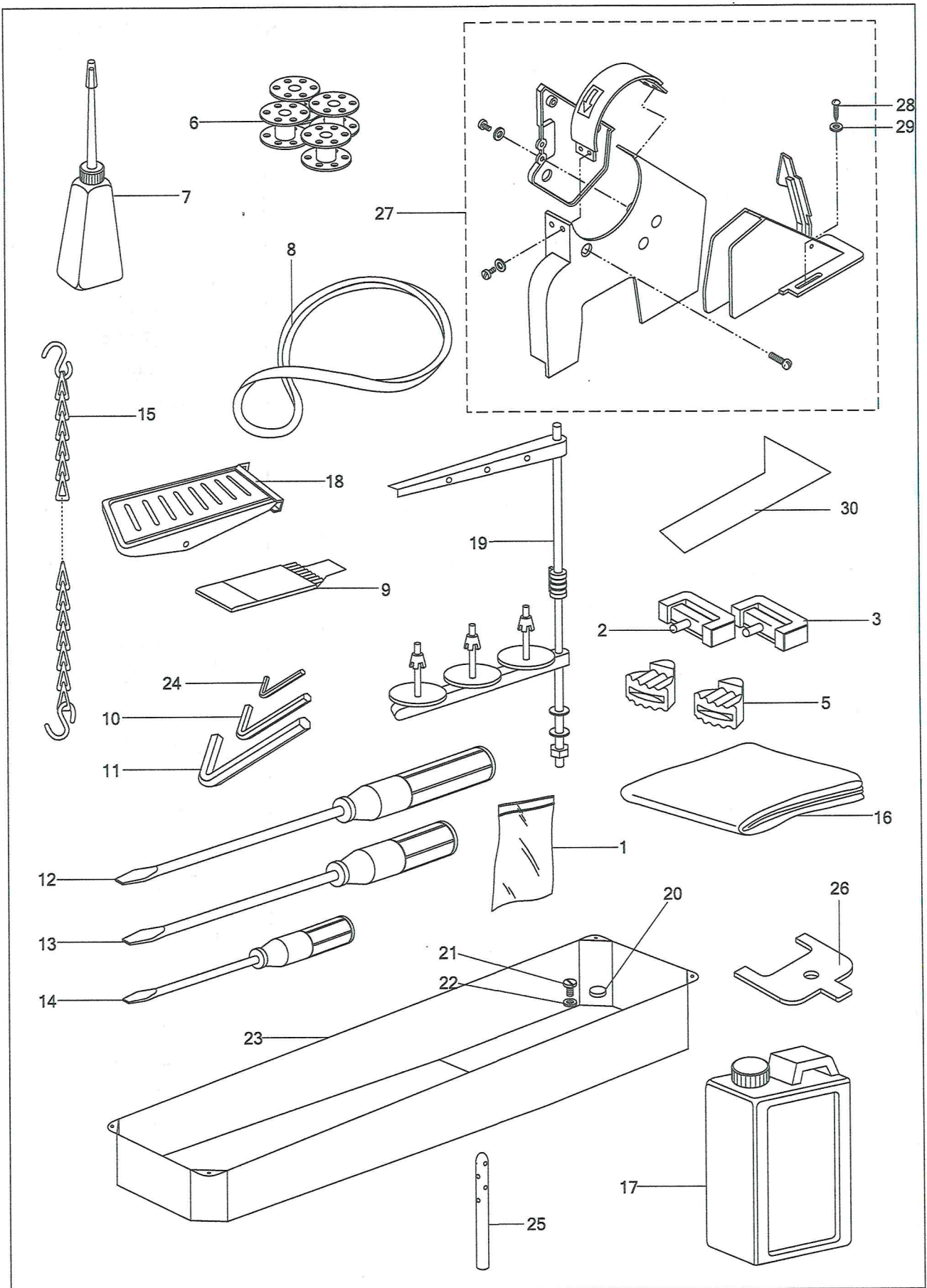


### 10.Auto-reverse components (GC20606/-1L30-D1T3)



| No. | Part number | Name                       | Qt. | Remark          |
|-----|-------------|----------------------------|-----|-----------------|
| 1   | 191WF2-005  | Bracket                    | 1   | SDA25×25-B      |
| 2   | 191WF2-001  | Cylinder                   | 1   |                 |
| 3   | 177WF5-007  | Joint                      | 2   |                 |
| 4   | 191WF2-003  | Bar                        | 1   |                 |
| 5   | 191WF2-004  | Bar joint                  | 1   |                 |
| 6   | 191WF2-002  | Crank                      | 1   | GB/T 70.1 M6×18 |
| 7   |             | Screw                      | 1   |                 |
| 8   | 45WF6-001   | Quick reverse switch assy. |     |                 |
| 9   | 205WF6-001  | Synchronizer               |     |                 |

# 11. Accessories



## 11. Accessories

| No. | Part number | Name                  | Qt. | Remark           |
|-----|-------------|-----------------------|-----|------------------|
| 1   | 33TF-010    | Parts bag             | 1   |                  |
| 2   | 22T9-007F1  | Casting hinge         | 2   |                  |
| 3   | 22T9-007F2  | Casting hinge cushion | 2   |                  |
| 5   | 6K6-006     | Casting cushion       | 4   |                  |
| 6   | 1WF2-065    | Bobbin                | 4   |                  |
| 7   | 33TF-011    | Oil pot               | 1   |                  |
| 8   | 33TF-016    | V-belt                | 1   | L18/HL18         |
|     |             | V-belt                | 1   | L30-D1T3         |
| 9   | 1F-009      | Needle                | 1   | DP×17 23#        |
| 10  | 1F-011      | Hexagon wrench        | 1   | S=2.5MM          |
| 11  | 1F-010      | Hexagon wrench        | 1   | S=3MM            |
| 12  | 33TF-012    | Screwdriver (big)     | 1   |                  |
| 13  | 33TF-013    | Screwdriver (middle)  | 1   |                  |
| 14  | 33TF-014    | Screwdriver (small)   | 1   |                  |
| 15  |             | ?S? hook              | 1   |                  |
| 16  | 22T9-018    | Machine head cover    | 1   |                  |
| 17  | 1F-012      | Oil tank              | 1   |                  |
| 19  | 1F-014      | Thread stand          | 1   | 2-needle         |
|     | 33TF-019    | Thread stand          | 1   | 1-needle         |
| 20  | 22F9-012    | Magnet                | 1   |                  |
| 21  | 22T9-001A2  | Oil draining screw    | 1   | SM5/16"×25/10    |
| 22  | 22T9-001A3  | Washer                | 1   |                  |
| 23  | 43WF3-002   | Oil pan               | 1   | L18/HL18         |
|     | 45WF3-001   | Oil pan               | 1   | L30-D1T3         |
| 24  |             | Wrench                | 1   | S = 2            |
| 25  | 16WF2-048   | Thread guide          | 1   |                  |
| 26  |             | Adjusting plate       | 1   |                  |
| 27  | 84WF1-030   | Belt guard            | 1   | L30-D1T3         |
|     | 1WF7-012    | Belt guard            | 1   | L30-D1T3         |
| 28  |             | Screw                 | 5   | GC20606L18       |
| 29  |             | Washer                | 5   | GB5282 ST4. 8X19 |
| 30  | 94WF1-004   | Guard                 | 1   | GB/T95 6         |